



# Assembly and mounting instructions

## IEC Connector KOSWI 4 & KOKWI 4

Model

Item no.

IEC Connector KOSWI 4 & KOKWI 4

Version

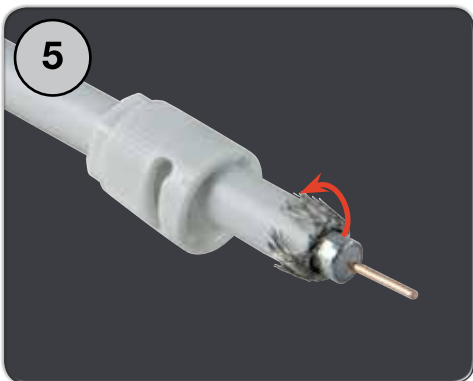
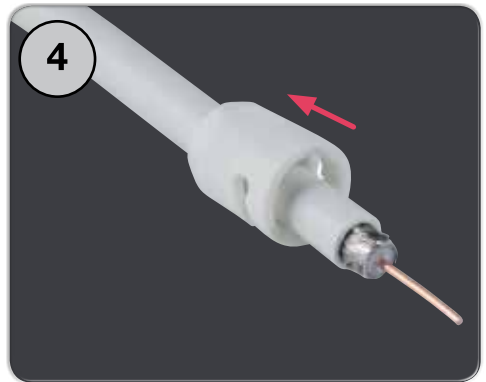
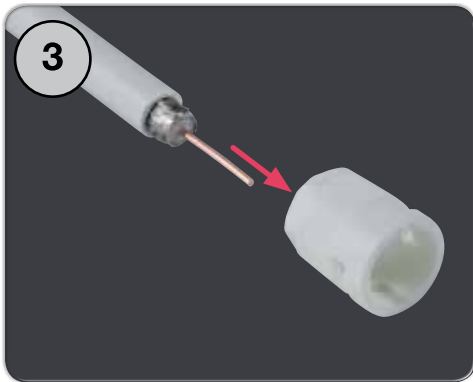
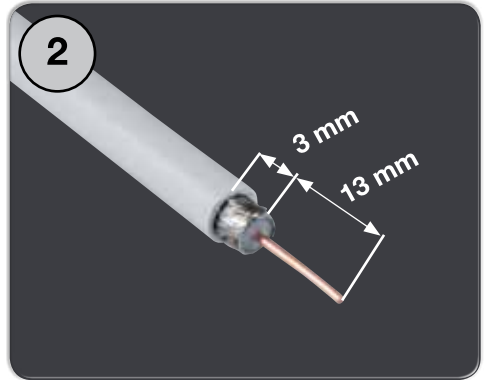
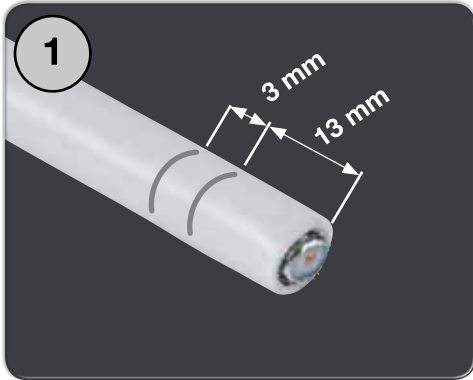
891883A

08 - 2014

EN

[triax.com](http://triax.com)

Mounting instructions  
Montageanleitung  
Notice de montage  
Montagevejledning



KOSWI 4 - IEC male (a)

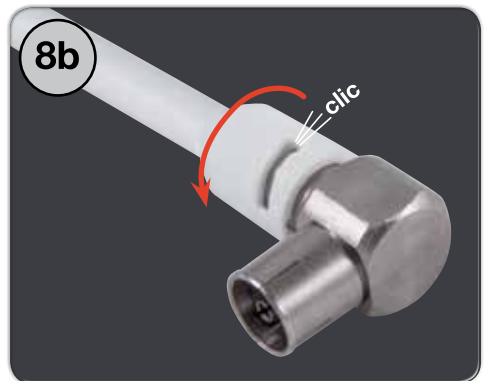
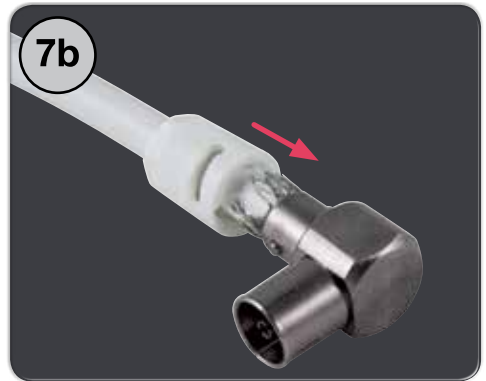
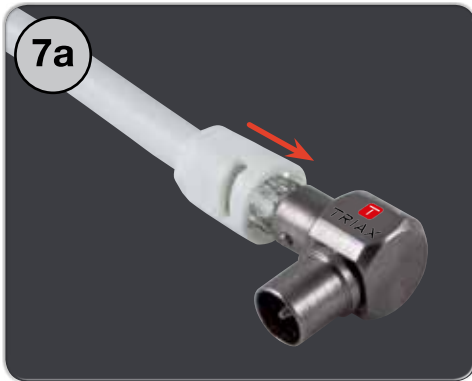
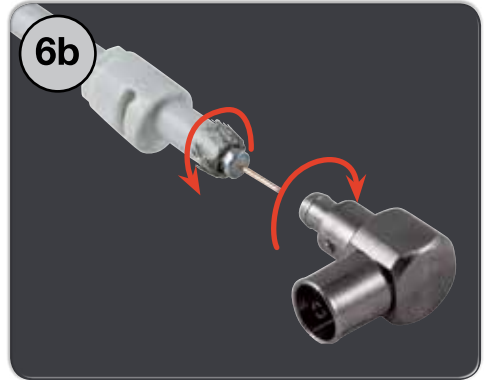
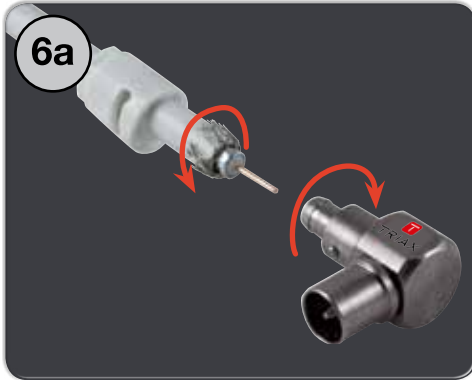


KOKWI 4 - IEC female (b)





TRIAx





**TRIAX**  
connecting the future

**154110 – KOSWI 4 – IEC male angled**

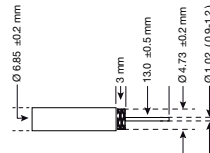


**154111 – KOKWI 4 – IEC female angled**



## Coax cable dimensions

Ø inner conductor	mm	1.02 (0.90 - 1.2)
Ø dielectric with foil	mm	4.73 ± 0.2
Ø outer jacket	mm	6.85 ± 0.2



## Technical data

Type:		KOSWI 4 – IEC male	KOKWI 4 – IEC female
Art. No:	Unit	154110	154111
Bandwidth	MHz		0 - 3000
Impedance	Ω		75
Return Loss	dB@40MHz – 1.5 dB/oct		> 20
Insertion Loss	0 – 1 GHz		< 0.2
Screening attenuation	30 – 1000 MHz		> 95
	1000 – 2000 MHz		> 85
	2000 – 3000 MHz		> 75
Transfer impedance	5 – 30 MHz	mΩ/m	< 2.5
Max. tensile strength		Kg	13.0
Temperature	Operating	°C	-25 to +55
Standards			DS/EN 61169-2



[triax.com/support](http://triax.com/support)



Copyright © 2016 TRIAX. All rights reserved. The TRIAX Logo and TRIAX, TRIAX Multimedia are registered trademarks or trademarks of the TRIAX Company or its affiliates. All specifications in this guide are subject to change without further notice.

TRIAX A/S | Bjørnkærvej 3 | DK-8783 Hornslyd | Denmark